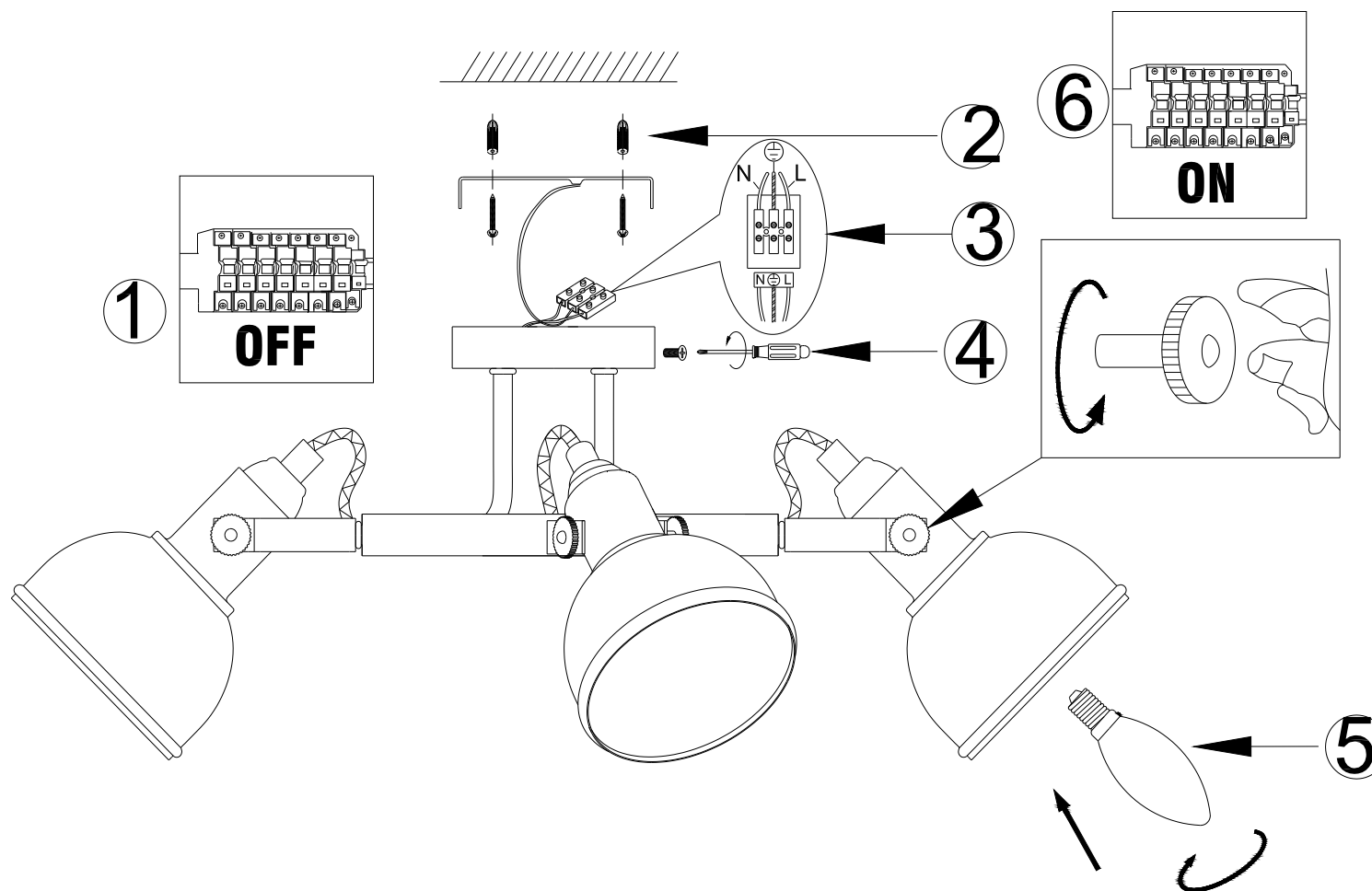




ASSEMBLY INSTRUCTION

ИНСТРУКЦИЯ

A5216PL-3AB





ASSEMBLY INSTRUCTION

A

ИНСТРУКЦИЯ

A5216PL-8BR(WG)

