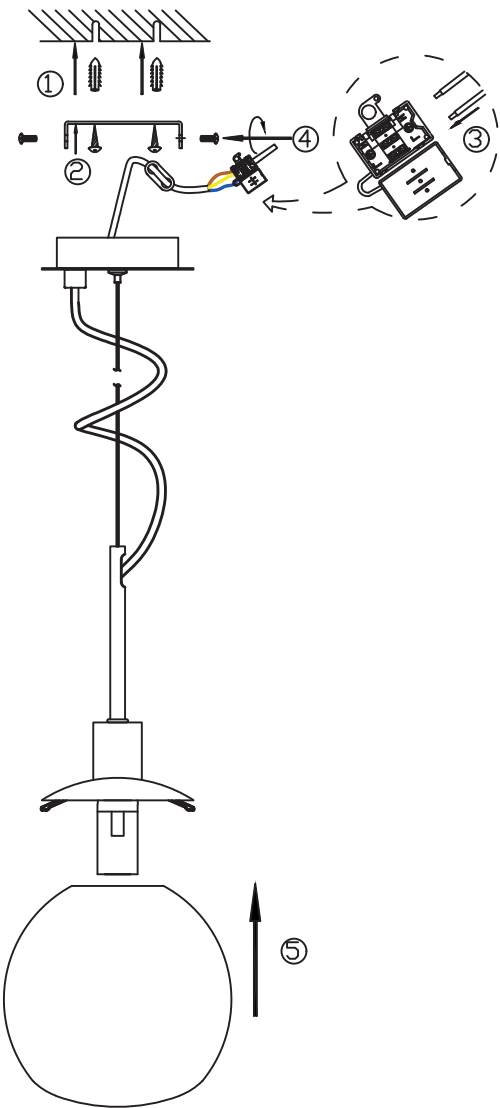
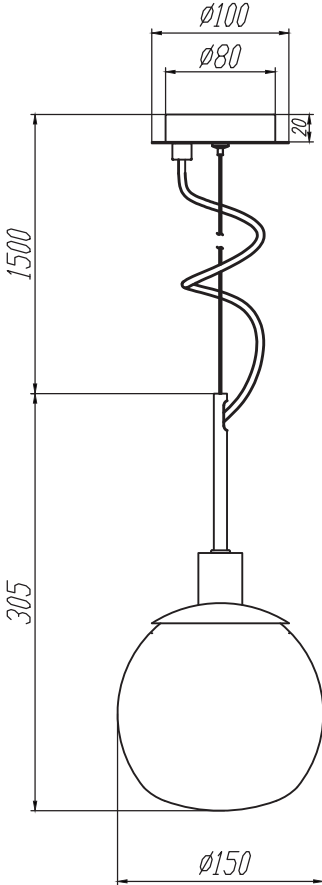



Instruction



Collection: Modern
Series: Erich
Model: MOD221-PL-01-G
Pendant lamp

 – Pendant lamp




1 x E14 (40w)

MAYTONI
DECORATIVE LIGHTING

www.maytoni.de