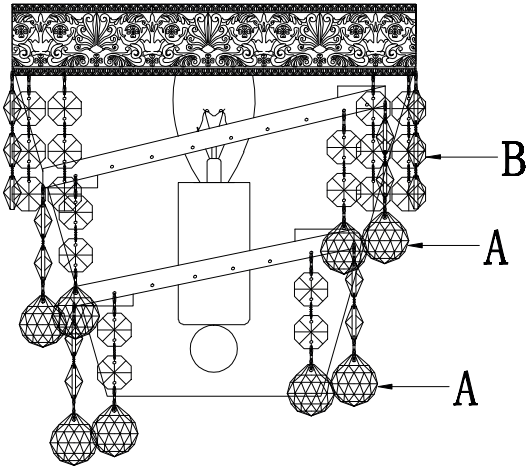
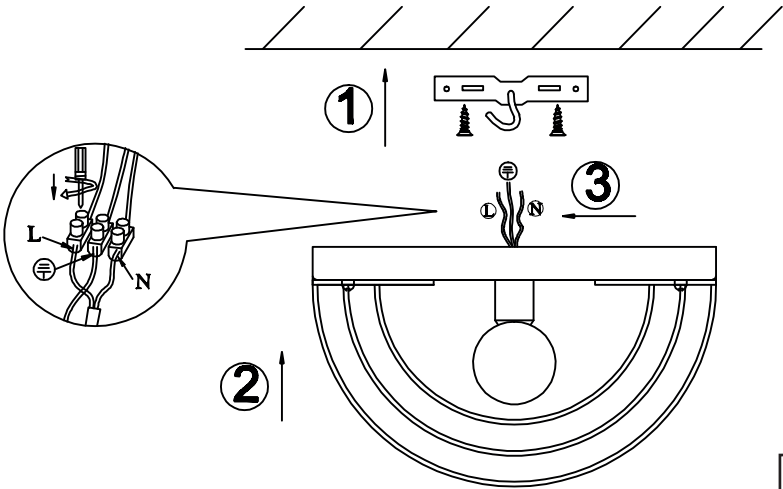
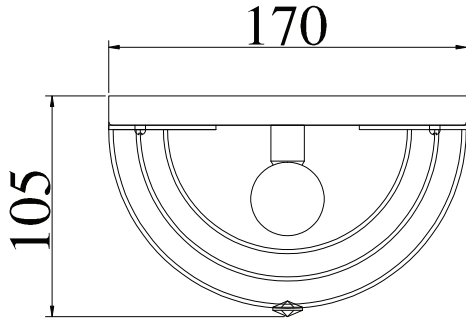
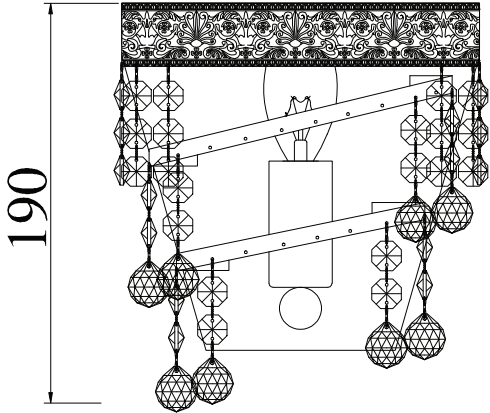


Instruction



Collection: Diamant Crystal
Series: Twister
Model: DIA523-WL-01-G
Wall

A=20
B=17



– Wall–mounted



1 x E14 (60w)

MAYTONI
DECORATIVE LIGHTING

www.maytoni.de