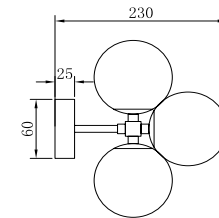
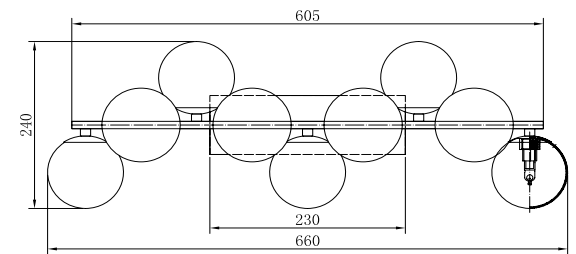
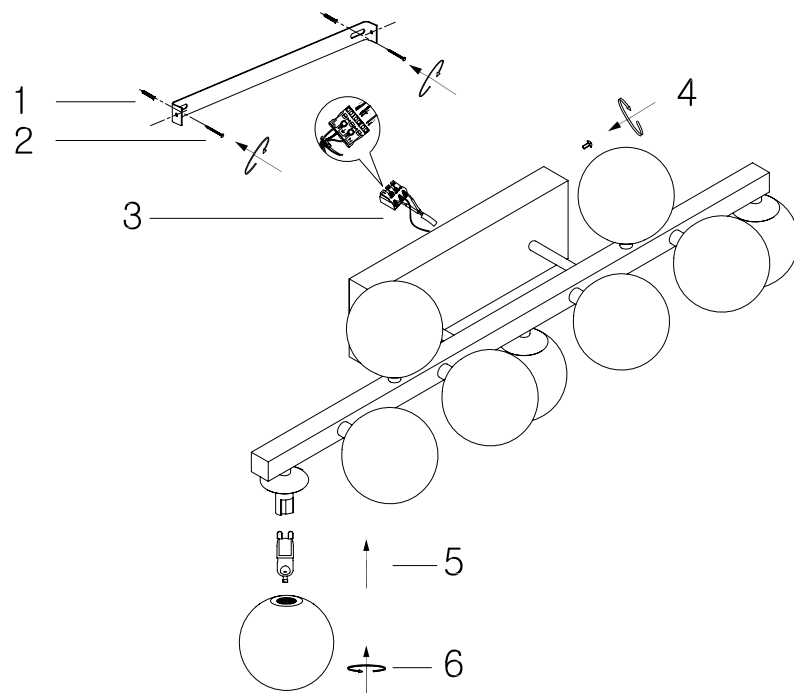


# Instruction

MOD547WL-09G



9 x G9 (28W)

Model: MOD547WL-09G  
Collection: Modern  
Series: Dallas



Wall Lamps