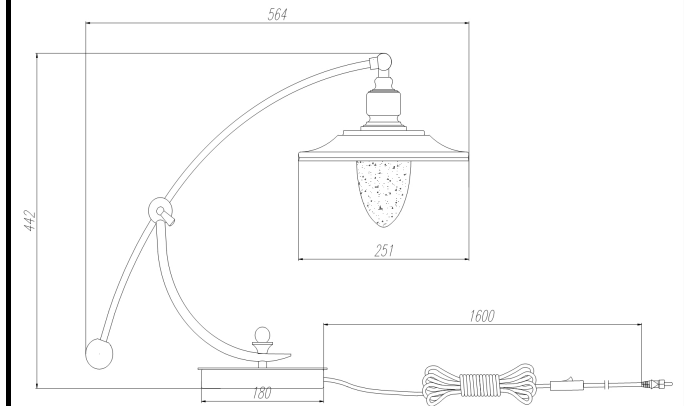
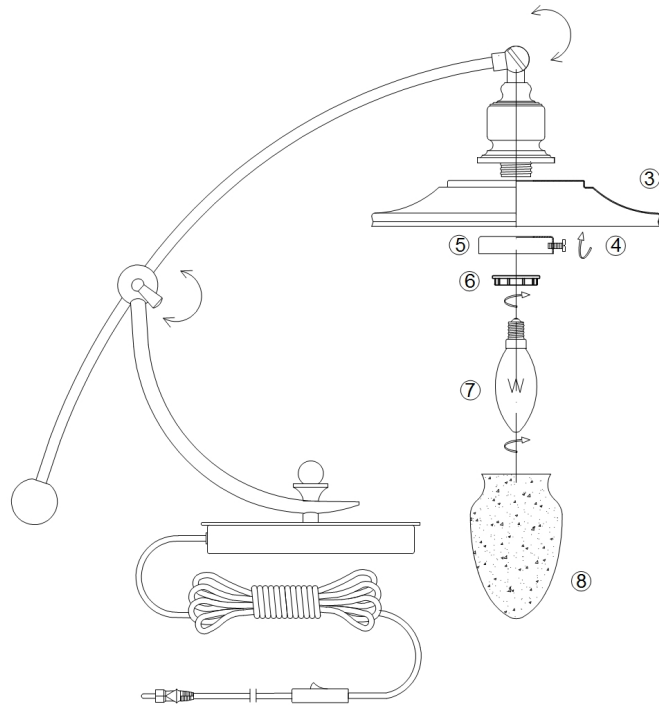


# Instruction

Collection: HOUSE  
Series: SENNA  
Model: H353-TL-01-W  
Mobile



- Mobile



1 x E14 (60W)

**MAYTONI**  
DECORATIVE LIGHTING

[www.maytoni.de](http://www.maytoni.de)