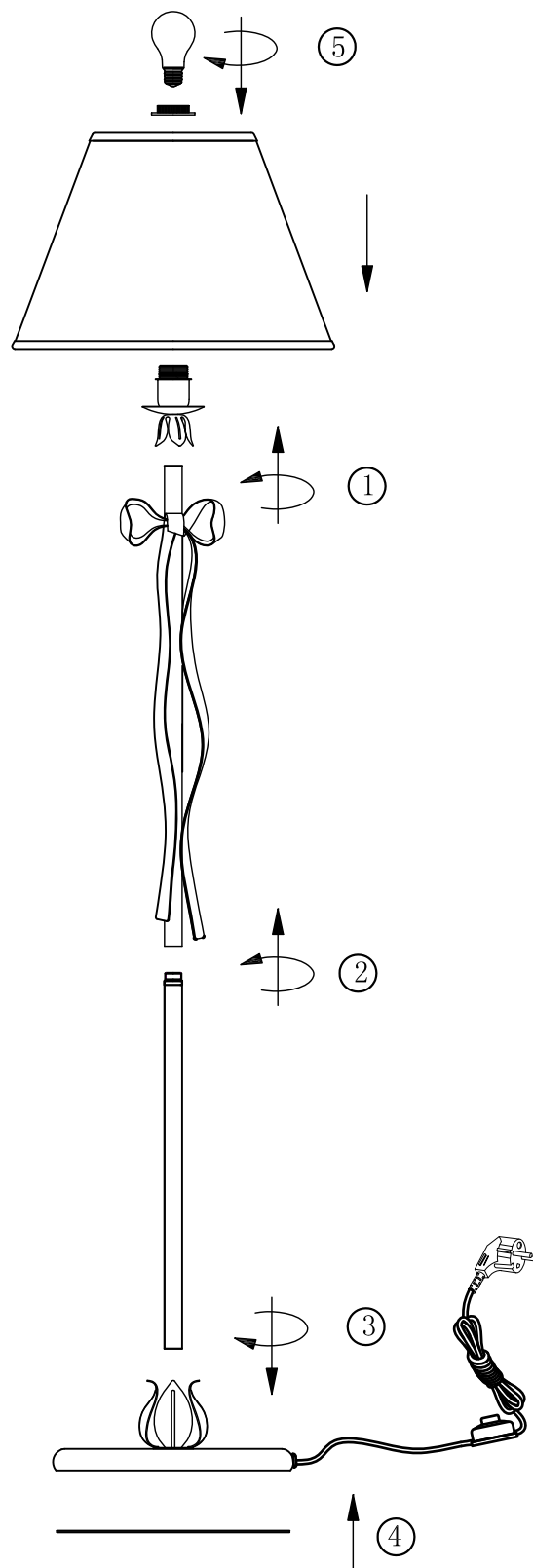


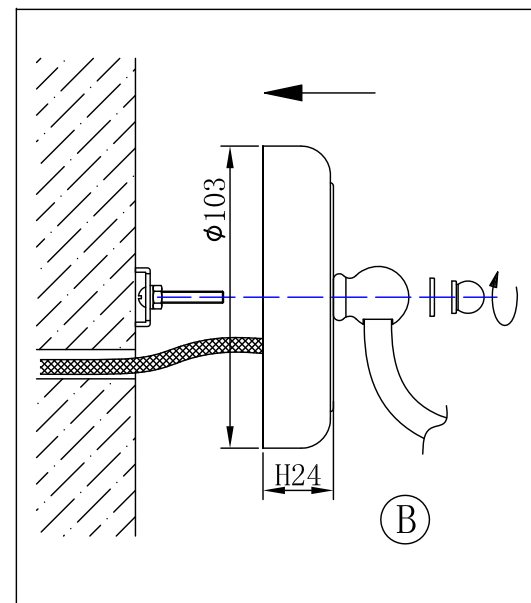
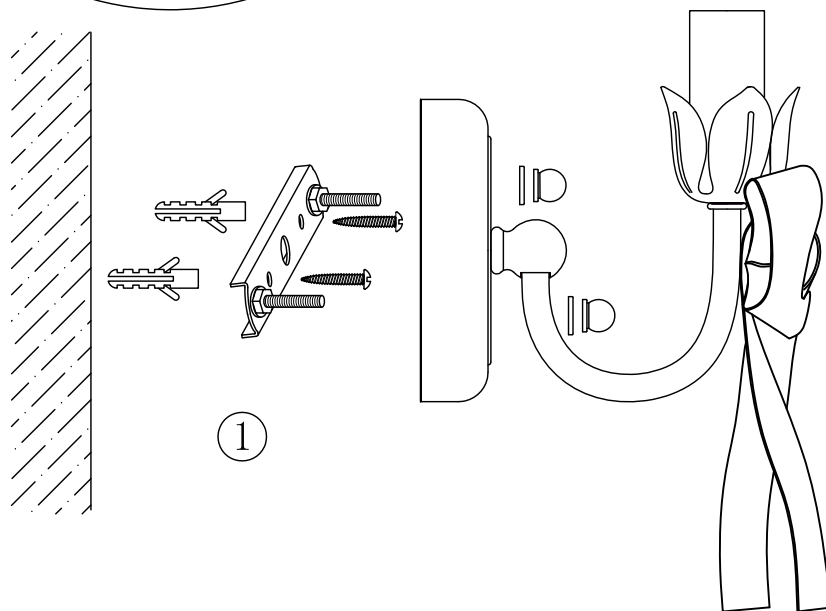
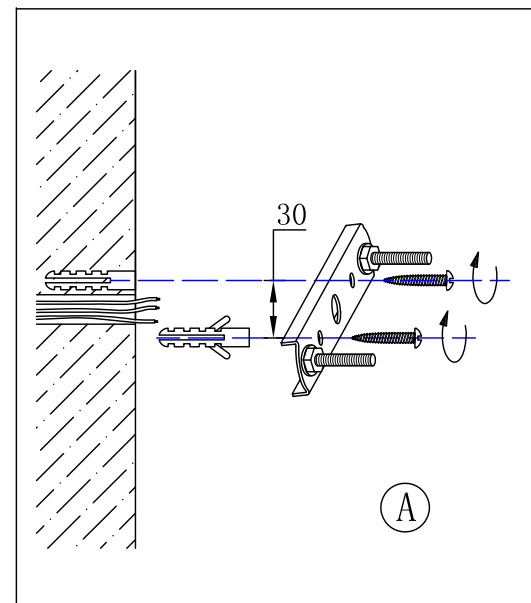
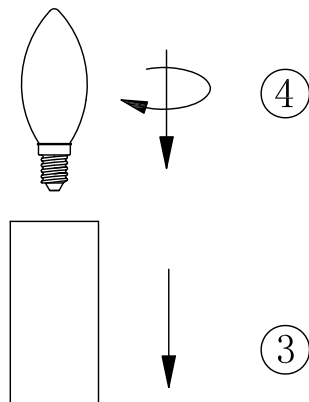
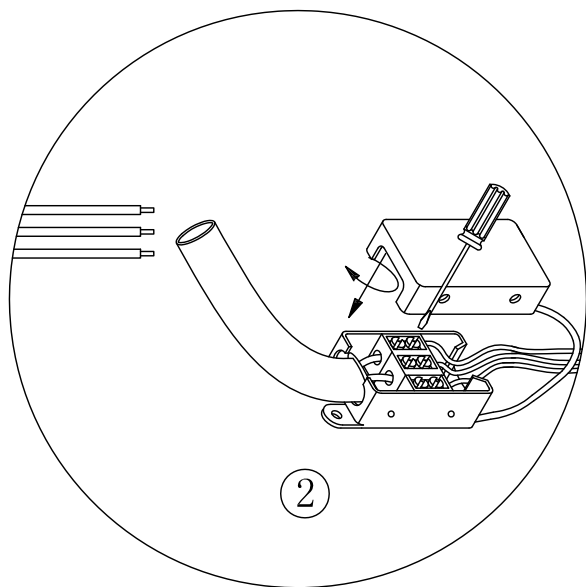
INSTALLATION INSTRUCTION ODEON LIGHT ART. 2527/1F



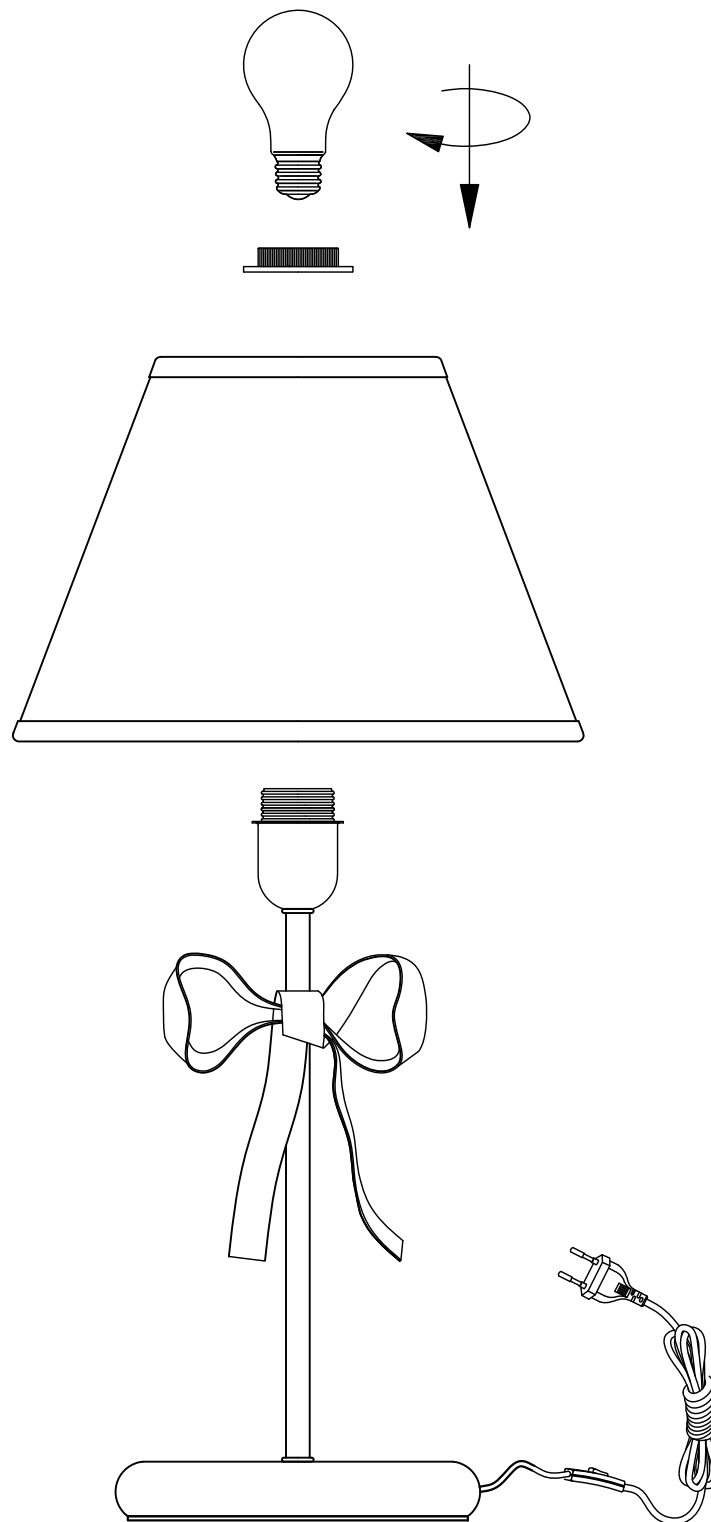
WARNING:

If the external flexible cable or cord of this luminaire is damaged, it shall be exclusively replaced by the manufacturer or his service agent or a similar qualified person in order to avoid a hazard.

INSTALLATION INSTRUCTION ODEON LIGHT ART. 2527/1W



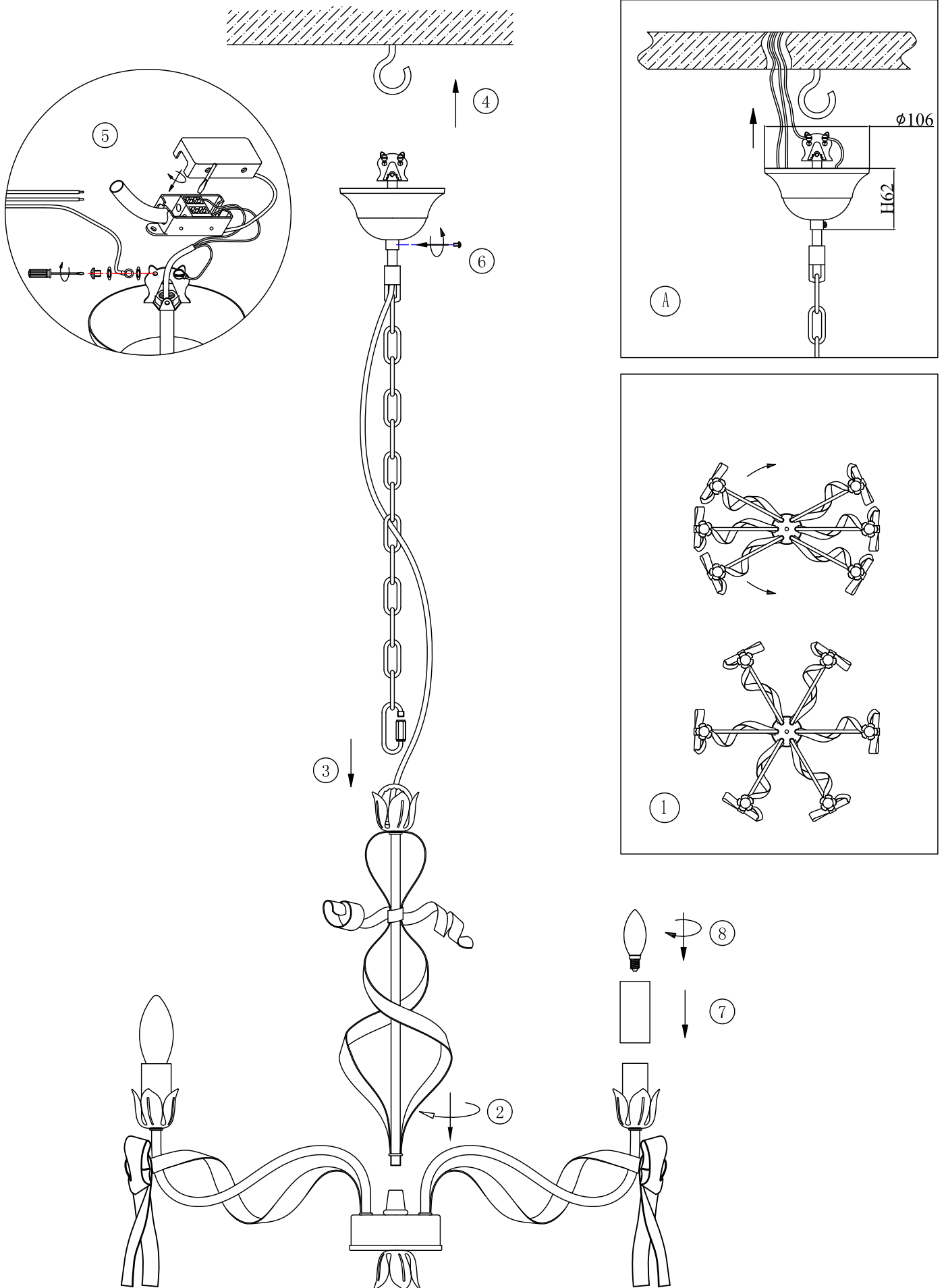
INSTALLATION INSTRUCTION ODEON LIGHT ART. 2527/1T



WARNING:

If the external flexible cable or cord of this luminaire is damaged, it shall be exclusively replaced by the manufacturer or his service agent or a similar qualified person in order to avoid a hazard.

INSTALLATION INSTRUCTION ODEON LIGHT ART. 2527/6



INSTALLATION INSTRUCTION ODEON LIGHT ART. 2527/3

