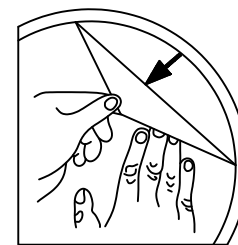
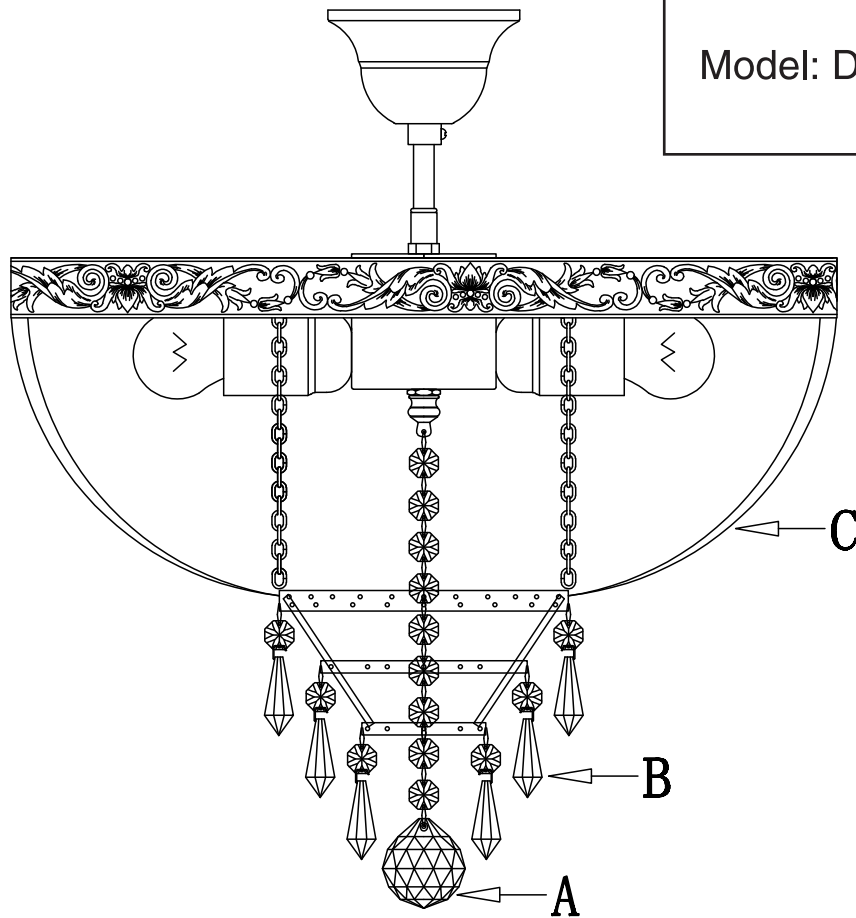


# Instruction

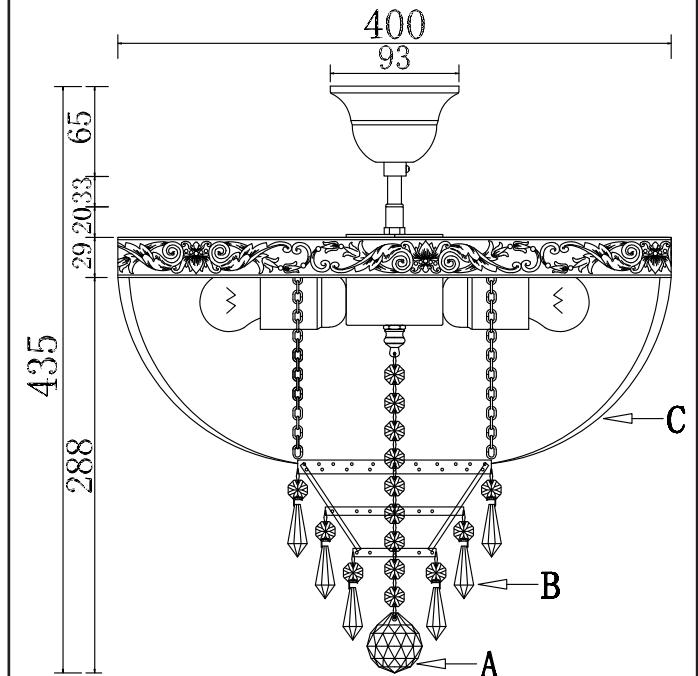
Collection: Diamant crystal  
Series: Palace  
Model: DIA890-CL-05-N  
Suspended



REMOVE COVER  
BEFORE USING LAMP



- Suspended



5 x E27 (60w)

**MAYTONI**  
DECORATIVE LIGHTING

[www.maytoni.de](http://www.maytoni.de)