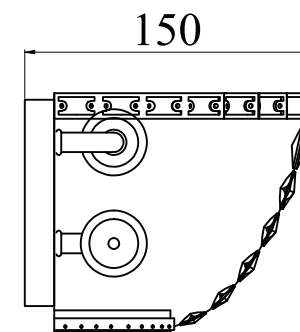
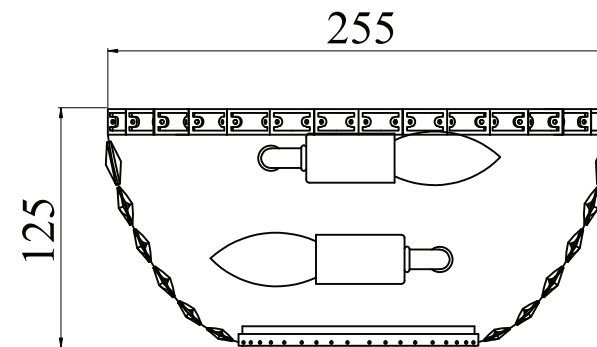
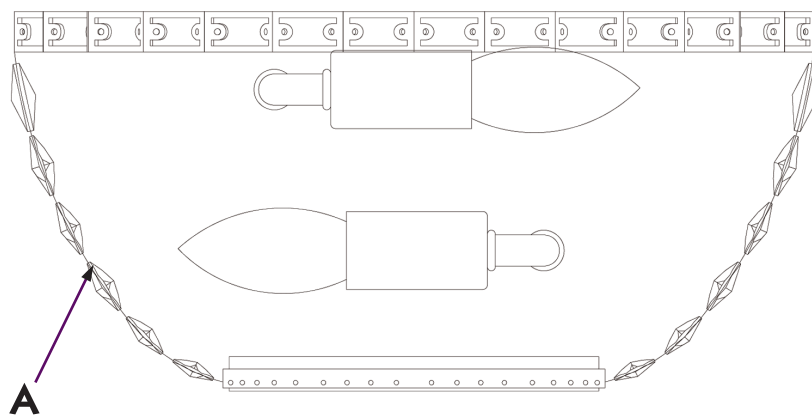


# Instruction

Collection: Diamant crystal  
Series: Basfor  
Model: DIA100-WL-02-N  
Wall



2 x E14 (60w)

**MAYTONI**  
DECORATIVE LIGHTING

[www.maytoni.de](http://www.maytoni.de)