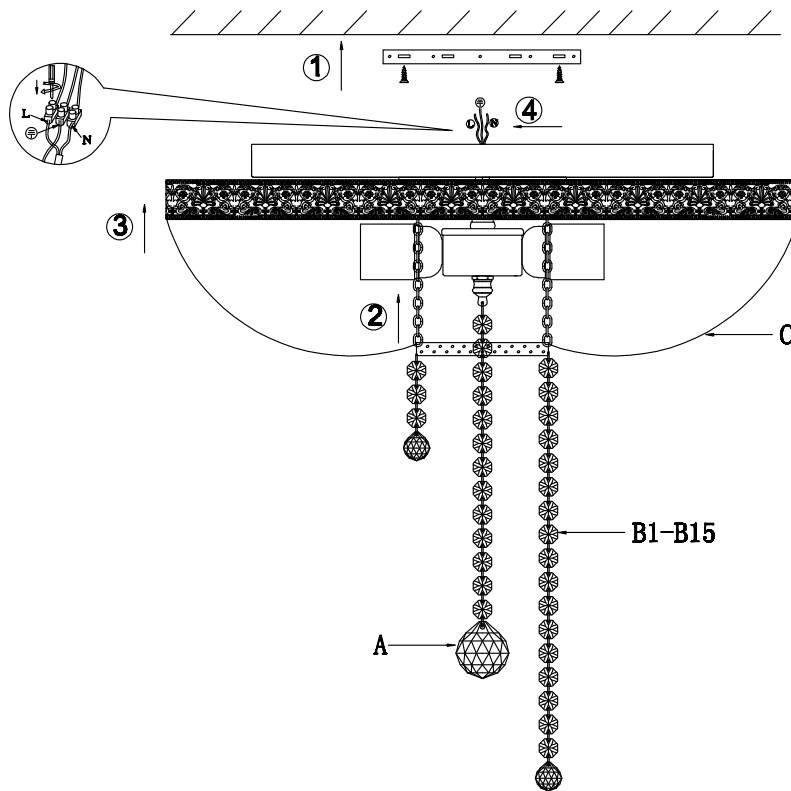
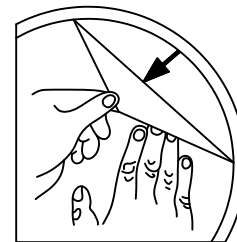


# Instruction

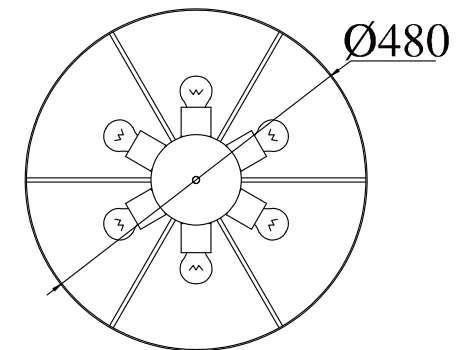
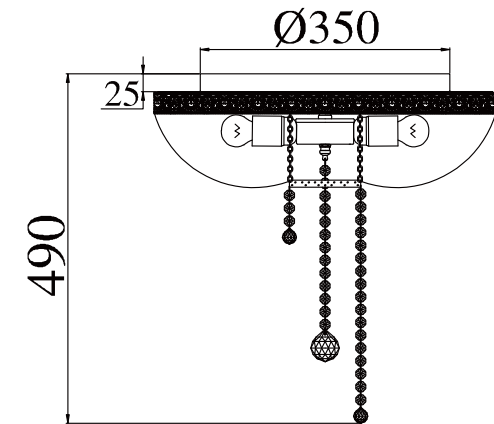
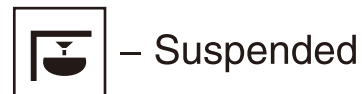
Collection: Diamant Crystal  
Series: Twister  
Model: DIA523-CL-06-G  
Ceiling



A=1  
B1-B15=15  
C=24



REMOVE COVER  
BEFORE USING LAMP



6 x E27 (60w)

**MAYTONI**  
DECORATIVE LIGHTING

[www.maytoni.de](http://www.maytoni.de)