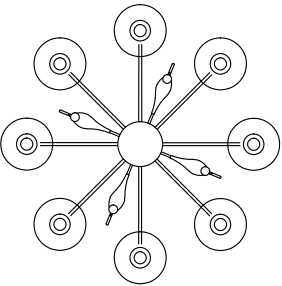
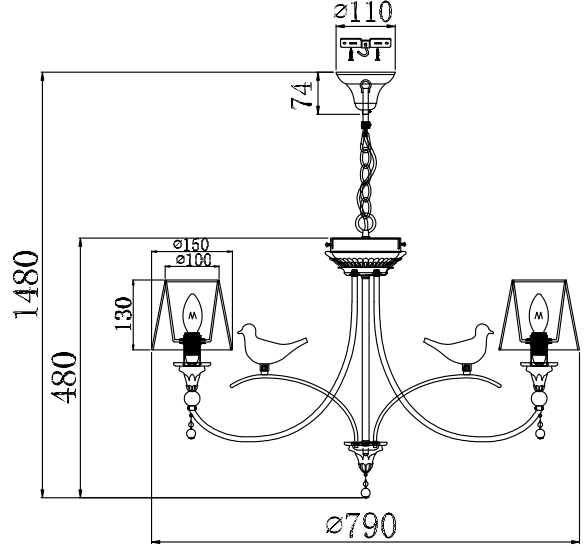
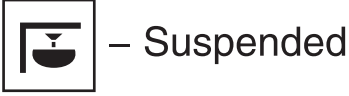
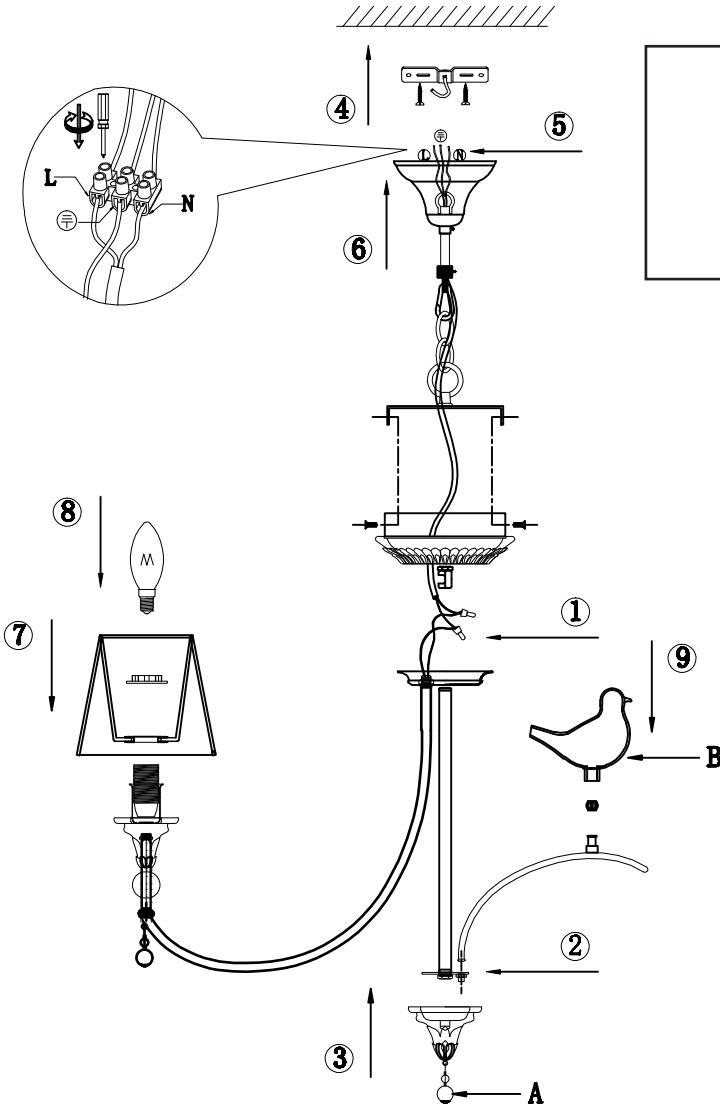


# Instruction

Collection: Elegant  
 Series: Torino  
 Model: ARM139-08-W  
 Suspended

A=9  
 B=4



  
 8 x E14 (40w)

**MAYTONI**  
 DECORATIVE LIGHTING  
[www.maytoni.de](http://www.maytoni.de)