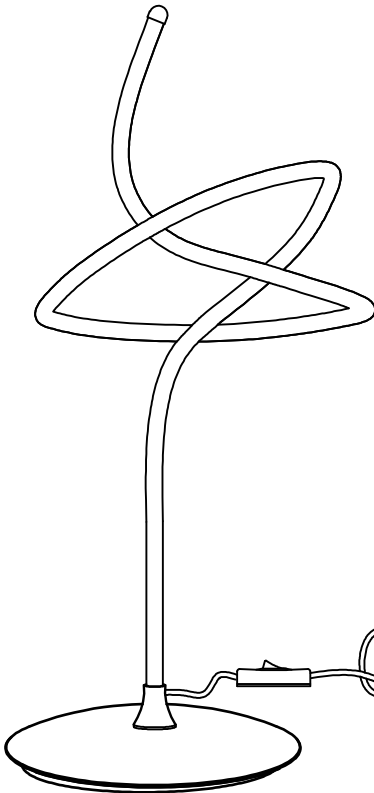
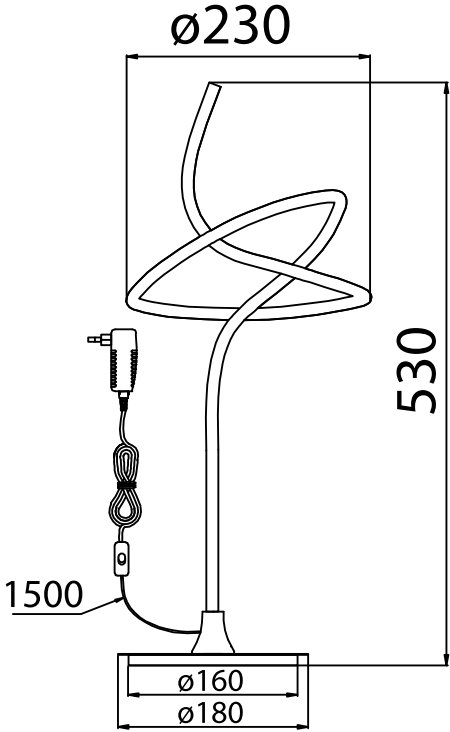
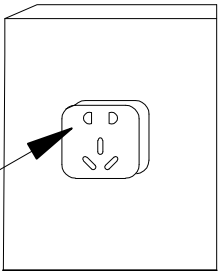


Instruction



Collection: Modern
Series: Nastro
Model: MOD446-11-N
Mobile



LED x 1

max 15w
900 lumen

MAYTONI
DECORATIVE LIGHTING

www.maytoni.de