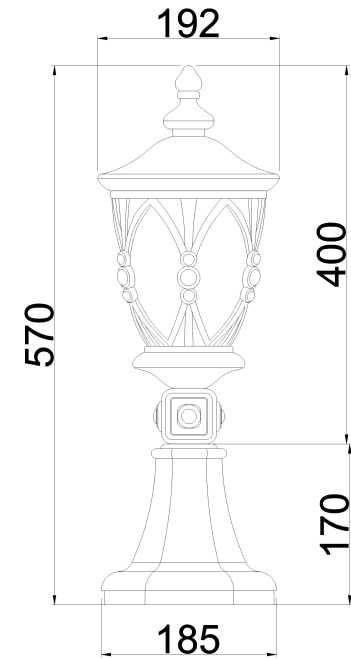
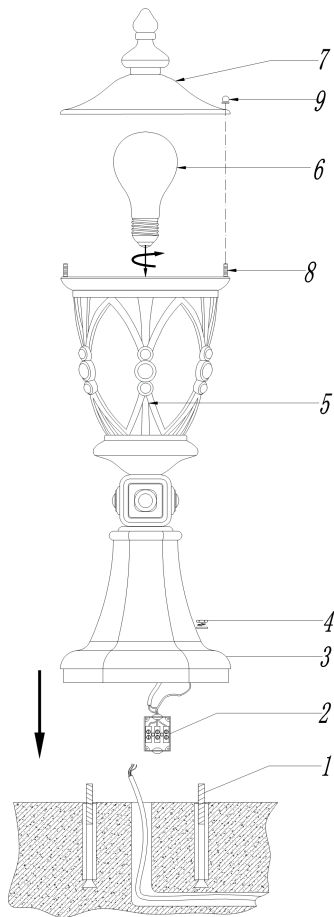


Instruction

Collection: OUTDOOR
Series: RUA AUGUSTA
Model: S103-59-31-B
Mobile



- Mobile



1 x E27 (60W)

MAYTONI
DECORATIVE LIGHTING

www.maytoni.de