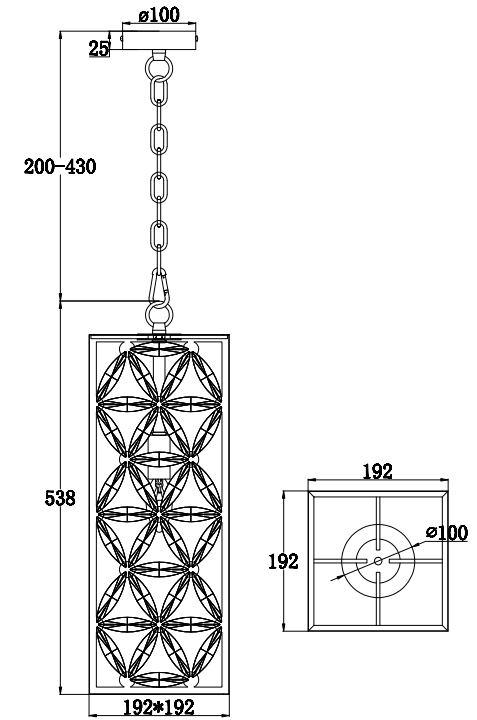
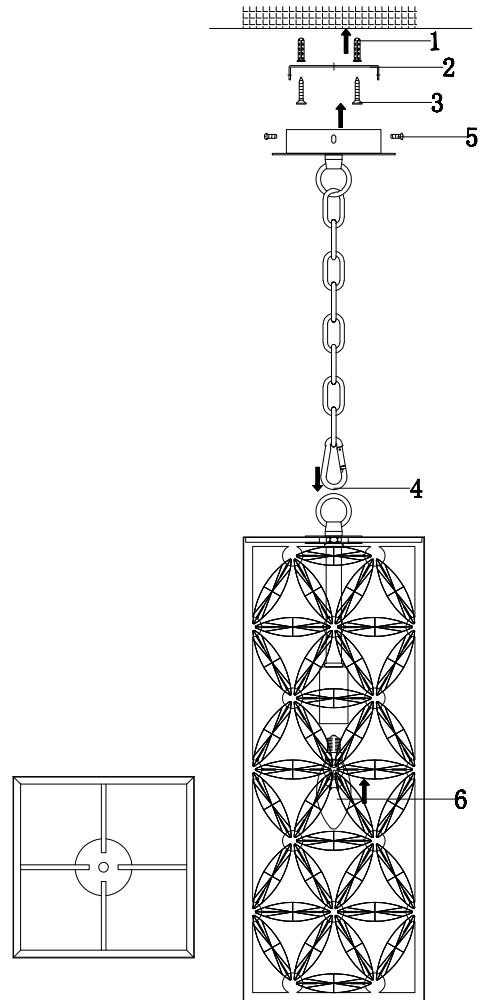


Instruction

MOD069PL-01CH



1 x E14 (60W)

Model: MOD069PL-01CH
Collection: Neoclassic
Series: New Series 069



Pendant Lamps